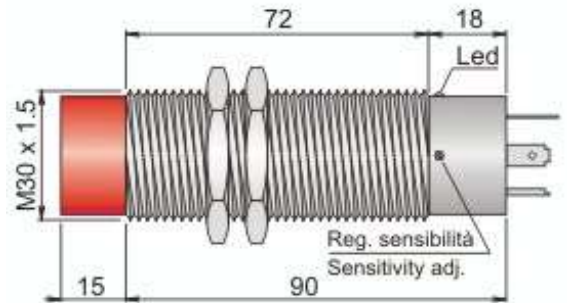


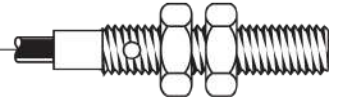
Part number: CAP000041 - Model: SC30M-CE25 PNP NO+NC K



Dimension in mm

TECHNICAL CHARACTERISTICS

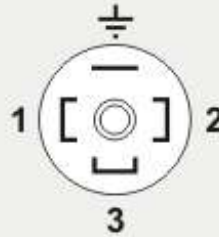
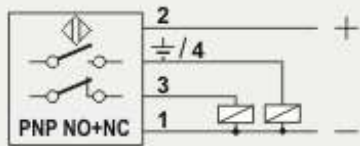
Working voltage:	10 ÷ 55 Vdc
Output type:	DC PNP
Function:	NO+NC
Actuation type:	Instantaneous
Sensing distance (mm):	0 ÷ 25 (adjustable)
Hysteresis (%Sn):	Depends on the switching distance
Max switching frequency:	10 Hz
Repeatability (%Sn):	< 1
Max output current:	300 mA
Absorption:	< = 10 mA @ 24Vdc
Voltage drop:	< 1.8 V
Short circuit protection:	Present
Led indicator:	Present
Shielding:	Not embeddable
Mechanical characteristics:	M30x1.5
Housing material:	Nickelled brass
Connection type:	K plug
Temperature limits:	-20 ÷ +70 °C
IP rating:	IP 65
Weight:	240 g



Part number: CAP000041 - Model: SC30M-CE25 PNP NO+NC K

WIRING DIAGRAM

CONNECTION WITH K PLUG



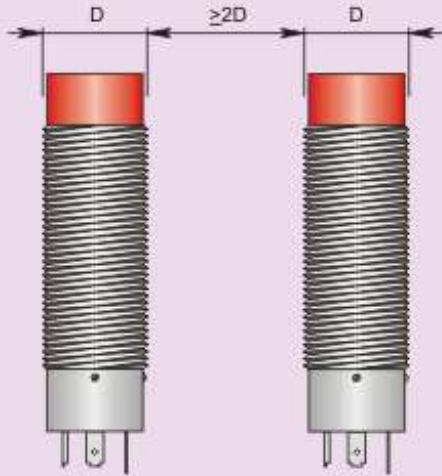
VIEW OF MALE CONNECTOR

- 1 = Blue / -
- 2 = Brown / +
- ± / 4 = Black / output NO
- 3 = White / output NC

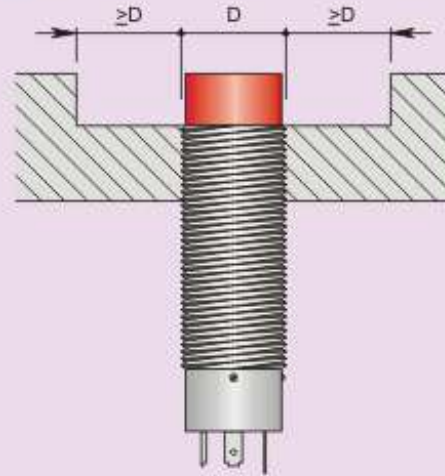
INSTRUCTIONS FOR CORRECT INSTALLATION

INSTRUCTIONS FOR CORRECT INSTALLATION

NOT EMBEDDABLE



Side by side mounting



Non flush mounting